

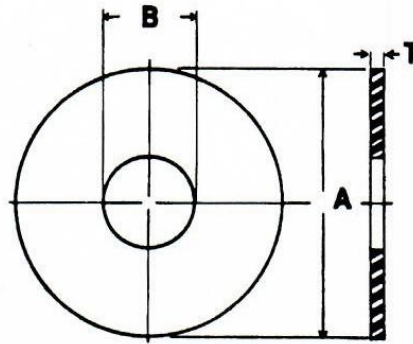
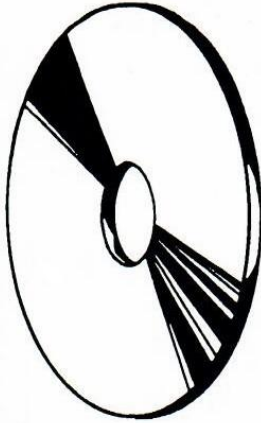


OGME, Inc.

Oil & Gas Measurement Equipment, Inc.

5227 Dow Rd. – 77040
P.O. Box 55641 * Houston * TX * 77255
Ph: 713-263-9740 * 713-686-3444
Fx: 713-263-9741
Email: sales@ogme.net

500 Universal Orifice Plate



CAT. 500 UNIVERSAL ORIFICE
PLATE SPECIFICATIONS

SIZE	A	T	WEIGHT
1	1.312	1/8	.05
1/2	2.000	1/8	.11
2	2.437	1/8	.17
2 1/2	2.844	1/8	.26
3	3.437	1/8	.34
4	4.406	1/8	.55
5	6.000	1/8	.95
6	6.437	1/8	1.18
8	8.437	1/8	2.03
10	10.687	1/4	6.41
*12	12.593	1/4	9.81
*14	13.750	1/4	11.91
*16	16.00	1/4	15.41
*18	17.9375	3/8	18.45
*20	20.00	3/8	22.78
*24	24.250	3/8	32.80
*26	26.00	3/8	62.00
*30	30.00	1/2	112.00

B-BORE TO BE SPECIFIED.

* - D.V.S. Bond Available

Other plate thicknesses available upon request.

UNIVERSAL ORIFICE PLATES

MATERIALS:

Type 304 Stainless Steel is standard, 316 Stainless Steel and other alloys available.

Meets AGA or ASME specifications and recommendations as to inspection, manufacturing tolerances and finish. Bored to specification, or furnished blank, if so desired.

Order Information Specify: **1. Plate Material**
2. Line size
3. Plate Thickness
4. Bore Size