



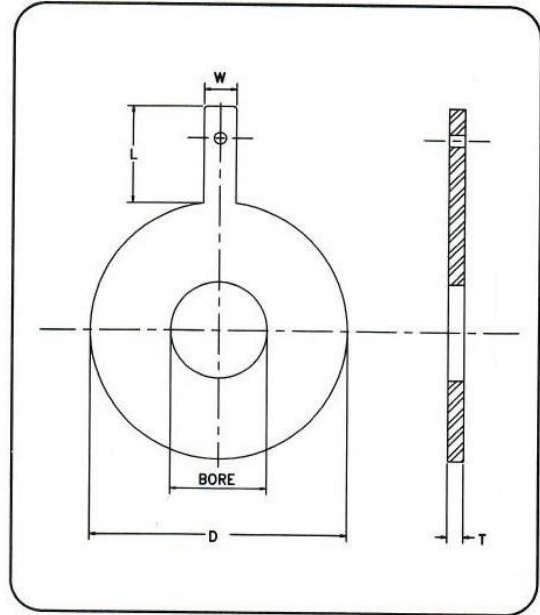
OGME, Inc.

Oil & Gas Measurement Equipment, Inc.

5227 Dow Rd. – 77040  
 P.O. Box 55641 \* Houston \* TX \* 77255  
 Ph: 713-263-9740 \* 713-686-3444  
 Fx: 713-263-9741  
 Email: [sales@ogme.net](mailto:sales@ogme.net)

## 520 Paddle Type Orifice Plates

Series 520 Paddle type orifice plates are designed for precision measurement of fluid flows in conjunction with orifice flange unions. All plates are manufactured from specially polished plate and sheet conforming to ASTM standards. Each orifice plate is constructed to meet or exceed AGA, ISO and/or ASME requirements. The plate handle is embossed with line size, flange rating, material and bore size information and, if required, can be identified with tag or serial number information as per the customer's requirements. Each plate is individually bored to the customer's specification or can be furnished blank. Series 520 plates are readily available in 304 or 316 stainless steel and can be furnished in other materials if requested. Each plate is individually packaged to preserve the sharp edge bore and surface finish.



SIZE	150# ASA D	300# ASA D	400 ASA D	#600# ASA D	900# ASA D	1500# ASA D	2500# ASA D	All Ratings L	All Ratings W	All Ratings T
1/2"	1-7/8"	2-1/8"	2-1/8"	2-1/8"	2-1/2"	2-1/2"	2-3/4"	4"	1"	1/8"
3/4"	2-1/4"	2-5/8"	2-5/8"	2-5/8"	2-3/4"	2-3/4"	3"	4"	1"	1/8"
1"	2-5/8"	2-7/8"	2-7/8"	2-7/8"	3-1/8"	3-1/8"	3-3/8"	4"	1"	1/8"
1 1/4"	3"	3-1/4"	3-1/4"	3-1/4"	3-1/2"	3-1/2"	4-1/8"	4"	1"	1/8"
1-1/2"	3-3/8"	3-3/4"	3-3/4"	3-3/4"	3-7/8"	3-7/8"	4-5/8"	4"	1"	1/8"
2"	4-1/8"	4-3/8"	4-3/8"	4-3/8"	5-5/8"	5-5/8"	5-3/4"	4"	1"	1/8"
2-1/2"	4-7/8"	5-1/8"	5-1/8"	5-1/8"	6-1/2"	6-1/2"	6-5/8"	4"	1"	1/8"
3"	5-3/8"	5-7/8"	5-7/8"	5-7/8"	6-5/8"	6-7/8"	7-3/4"	4"	1"	1/8"
4"	6-7/8"	7-1/8"	7"	7-5/8"	8-1/8"	8-1/4"	9-1/4"	4"	1"	1/8"
5"	7-3/4"	8-1/2"	8-3/8"	9-1/2"	9-3/4"	10"	11"	5"	1"	1/8"
6"	8-3/4"	9-7/8"	9-3/4"	10-1/2"	11-3/8"	11-1/8"	12-1/2"	5"	1"	1/8"
8"	11"	12-1/8"	12"	12-5/8"	14-1/8"	13-7/8"	15-1/4"	5"	1"	1/8"
10"	13-3/8"	14-1/4"	14-1/8"	15-3/4"	17-1/8"	17-1/8"	18-3/4"	6"	1"	1/4"
12"	16-1/8"	16-5/8"	16-1/2"	18"	19-5/8"	20-1/2"	21-5/8"	6"	1-1/2"	1/4"
14"	17-3/4"	19-1/8"	19"	19-3/8"	20-1/2"	22-3/4"	—	6"	1-1/2"	3/8"
16"	20-1/4"	21-1/4"	21-1/8"	22-1/4"	22-5/8"	25-1/4"	—	6"	1-1/2"	3/8"
18"	21-1/2"	23-3/8"	23-1/4"	24"	25"	27-5/8"	—	6"	1-1/2"	3/8"
20"	23-3/4"	25-5/8"	25-3/8"	26-3/4"	27-3/8"	29-5/8"	—	6"	1-1/2"	3/8"
22"	26"	27-3/4"	27-1/2"	28-7/8"	—	—	—	6"	1-1/2"	3/8"
24"	28-1/8"	30-3/8"	30-1/8"	31"	32-7/8"	35-1/2"	—	6"	1-1/2"	3/8"
30"	34-5/8"	37-3/8"	37-1/4"	38-1/8"	—	—	—	6"	1-1/2"	1/2"
36"	41-1/8"	43-7/8"	43-7/8"	44-3/8"	—	—	—	6"	1-1/2"	1/2"