

Industrial Range

MODEL

BGH700

DUAL RANGE TESTER



Hydraulic
Dead-Weight
Testers.

Primary standards
for Pressure
Calibration

▶ Range from
1 - 700 bar

▶ Standard Accuracy
to 0.015%

▶ Class 'A' Accuracy
to 0.006%

▶ Supplied with
integral pressure
generation



Budenberg

Industrial Range

MODEL

BGH700

DUAL RANGE TESTER

Hydraulic
Dead-Weight
Testers.

Primary standards
for Pressure
Calibration

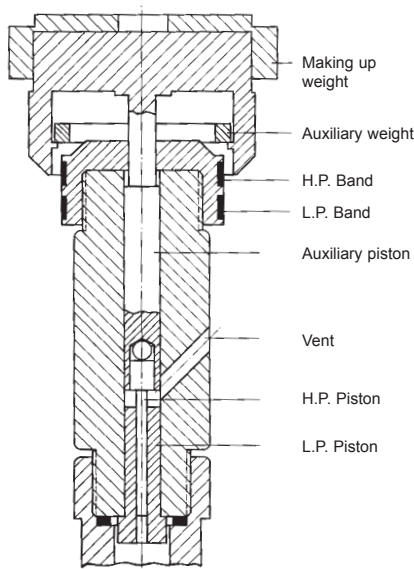
Standard Accuracy to 0.015%
Class A with UKAS
Calibration Certificate 0.006%

RANGES:

700 bar 10000 lb/in²
70000 kPa 700 kg/cm²

ACCURACY

All certificates issued for Budenberg Dead-weight Testers are fully traceable to national standards via equipment with UKAS calibration certificates. A standard accuracy of 0.015% is achieved from 10% of range using software supplied to compensate for the effects of gravity, temperature and the actual area of piston unit. Standard accuracy without any corrections for actual area is 0.02% from 6 to 700 bar, 0.025% from 1 to 6 bar. Higher accuracy Class 'A' testers are available (supplied with UKAS Calibration certificates for area and mass) allowing an accuracy of 0.006% to be achieved.



BGH SERIES BASE

The BGH series base can be used with any of the BGH series pistons to give ranges 1 - 120 bar, 2 - 300 bar, 580M, 1 - 700 bar, and 1 - 1200 bar

All units are top loading for ease of use and weight sets are fully interchangeable. This means that weight sets in alternative pressures are readily available and customers with more than one BGH series tester can interchange weight sets between tester of the same range.

The base features a dual area screwpress which allows low pressure priming and high pressure control.

The BGH700PCU is a dual area piston / cylinder unit with 1/8in² and 1/80in² areas. Changing between ranges is fully automated meaning that users have an extremely flexible instrument covering the range with one piston / cylinder assembly and one weight set. The low pressure piston / high pressure cylinder is tungsten carbide, other parts are fully hardened and stabilised tool steel.

Please note: Due to Budenberg's policy of continuous improvements, specifications may be subject to change without notice.

WEIGHTS SUPPLIED

bar or kg/cm ²	kPa	lb/in ²
Low range 1-60	Low range 100-6000	Low range 10-800
High range 10-700	High range 1000-70000	High range 100-10000
Piston 1 or 10 1 wt 9 or 90 5 wts 10 or 100 1 wt 5 or 50 2 wts 2 or 20 1 wt 1 or 10 1 wt 0.5 or 5	Piston 100 or 1000 1 wt 900 or 9000 5 wts 1000 or 10000 1wt 500 or 5000 2 wts 200 or 2000 1wt 100 or 1000 1wt 50 or 500	Piston 10 or 100 1 wt 90 or 900 8 wts 100 or 1000 1 wt 50 or 500 2 wts 20 or 200 1 wt 10 or 100 1 wt 5 or 50
Optional fine increment weights 2 wts 0.2 or 2 1 wt 0.1 or 1 1 wt 0.05 or 0.5 2 wts 0.02 or 0.2 1 wt 0.01 or 0.1	 2 wts 20 or 200 1wt 10 or 100 1wt 5 or 50 2 wts 2 or 20 1wt 1 or 10	 2 wts 2 or 20 1 wt 1 or 10 1 wt 0.5 or 5 2 wts 0.2 or 2 1 wt 0.1 or 1

ACCESSORIES

There are many accessories which can be supplied for use with the Dead-weight testers. These include liquid / liquid seals, two gauge stands, power rotation unit and many others. Budenberg have extensive experience in the use of Dead-weight testers and can supply accessories for many applications. A separate data sheet of accessories is available.

PACKING DETAILS

1 carton containing base, tool roll and piston unit:
59 x 49 x 38cm. 0.110m³, Nett 20kg, Gross 22kg.
2 x cartons containing weights:
32 x 32 x 31cm. 0.04m³, Nett 25kg, Gross 30kg. ea

SPARES, REPAIR AND RE-CERTIFICATION

Comprehensive service and Calibration capability of both Budenberg and non Budenberg test equipment:

Dead-weight Testers (working service or full overhaul).

Gauges (all types, all manufacturers).

Portable calibrators (Budenberg & non-Budenberg).

Comparators.

All accuracy ranges can be supplied with UKAS Calibration Certificates.

Certification traceable to national standards.

Rapid turn-around times and hire items available as a temporary replacement for strategically important plant.

For further information on Accessories, and other product information contact Budenberg and ask for a Data sheet.



Budenberg Gauge Co. Ltd.

4 Gilchrist Road,
Irlam,
Manchester M44 5AY.

Tel: +44 161 777 7300.
Fax: +44 161 777 7399
Email: sales@budenberg.co.uk

Budenberg Gauge Pvt. Ltd.

299-300, IInd Main Road,
Nehru Nagar,
Old Mahabalipuram Road (OMR),
Chennai - 600 096,
Tamil Nadu , India

Tel : +91 44 24541074
Tel/Fax: +91 44 24541075
Email: sales@budenberg-gauge.in

Budenberg Gauge Asia
Pacific Ltd

Unit 7A G/F Cheung Fat Ind
Bldg 64-76 Larch St Tai Kok
Tsui Kin
Hong Kong

Tel : +852 3709 0020
Email: sales@budenberg-gauge.asia

Budenberg Middle East LLC

PO Box 18980
Dubai
United Arab Emirates

Tel: +971 4 2511670
Email: sales@bme-me.com