

63mm PROCESS GAUGE

The Classic 726 range of Pressure Gauges are designed to meet the high demands of the process industry as well as diverse range of applications.

From harsh corrosive chemical applications to general engineering uses, the Classic 726 combines a high specification with a very cost effective price.

The standard unit incorporates 316 stainless steel wetted parts that are housed within a liquid fillable 316 stainless steel case. Standard units are available as dual scale bar and psi but custom scales can be supplied.

Available in direct, surface or flush mounting variants, the 726 can be configured to suit any individual application. In addition, Budenberg can supply a full range of Syphons, Snubbers, Gauge Savers, Manifolds, Diaphragm Seals etc Seals etc.

**Size**

63mm (2.5")

Mounting

Direct, Surface, Flush or direct with rear connection

Case & Bezel

One-piece open front case in 316 Stainless Steel with a safety blow out plug in the top of the unit. The bezel is in polished 316 stainless steel with a bayonet locking mechanism.

Scale Ranges

0 to 1 bar to 0 to 1700 bar or equivalent units of pressure / vacuum are available. Stock units are dual scale bar / psi

Pressure Element

≤80 Bar – 316 Stainless Steel Bourdon Tube
≥81 Bar - 316 Stainless Steel Coil

Overload

Units withstands overload pressure up to 130% of FSD

Pressure Connection

1/4" BSP as standard, Option: 1/8" BSP, 1/4" NPT

Accuracy Class

CL:1 1.0% of FSD as defined in EN837-1

Temperature

Operating: -40 to +60 °C
Storage: -40 up to +100 °C

Options: for lower or higher operating temperatures, please contact our Sales Office

Temperature Effect

+/- 0.4% per 10 °C

Dial

White Anodised Aluminium marked in black finish
Dual scale bar/psi is standard but custom dials are available

Pointer

Black Aluminium Pointer

Movement

Stainless Steel Construction

Filling

The case can be supplied filled with glycerine or silicon oil or can be filled at site

Window

Toughened Safety Glass

Environmental Rating

IP65 as defined in EN 60 529

Traceability

All instruments are individually calibrated
A Certificate of Conformity is Supplied Free of Charge

Safety

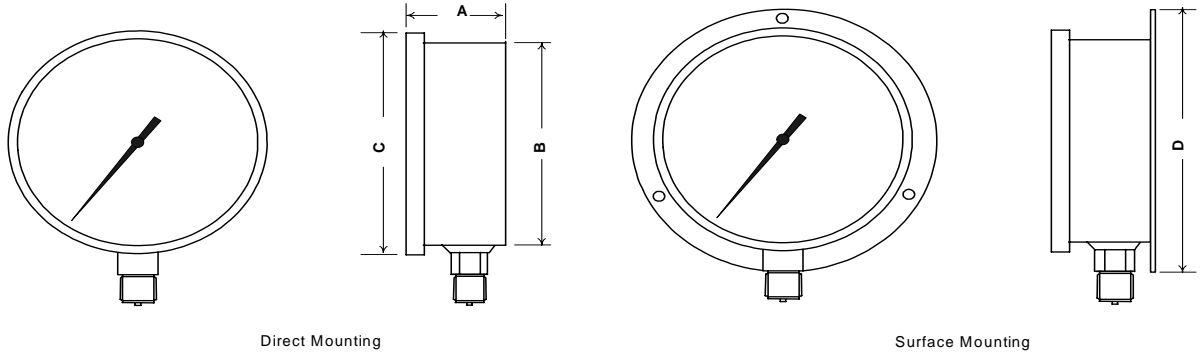
All units are manufactured to comply with EN 837-1 specification and other regulatory standards including PED.

Installation instructions

Refer to EN 837-2

Dimensions

Model : 726



Type	A	B	C	D	Hole Diam	PCD	Weight
63mm Direct Mount (Bottom)	34mm	65mm	65mm				170g
63mm Surface Mount (Bottom)	37mm	65mm	65mm	86mm	3.6mm	72-75mm	170g
63mm Direct Mount (Rear)	27mm	65mm	65mm				170g
63mm Flush Mount (Rear)	27mm	65mm	65mm				170g

Standard Stock units - 100 mm, Dual Scale bar / psi

Stock No	Range	Connection	Stock No	Range	Connection
73601.01/2N	0 - 1.0 bar	1/2" NPT m	73601.03/8	0 - 1.0 bar	3/8" BSP m
73601.61/2N	0 - 1.6 bar	1/2" NPT m	73601.03/8	0 - 1.6 bar	3/8" BSP m
73602.51/2N	0 - 2.5 bar	1/2" NPT m	73601.03/8	0 - 2.5 bar	3/8" BSP m
73604.01/2N	0 - 4.0 bar	1/2" NPT m	73601.03/8	0 - 4.0 bar	3/8" BSP m
73606.01/2N	0 - 6.0 bar	1/2" NPT m	73601.03/8	0 - 6.0 bar	3/8" BSP m
736010.01/2N	0 - 10 bar	1/2" NPT m	73601.03/8	0 - 10 bar	3/8" BSP m
736016.01/2N	0 - 16 bar	1/2" NPT m	73601.03/8	0 - 16 bar	3/8" BSP m
736025.01/2N	0 - 25 bar	1/2" NPT m	73601.03/8	0 - 25 bar	3/8" BSP m
736040.01/2N	0 - 40 bar	1/2" NPT m	73601.03/8	0 - 40 bar	3/8" BSP m
736060.01/2N	0 - 60 bar	1/2" NPT m	73601.03/8	0 - 60 bar	3/8" BSP m

Accessories

Budenberg can supply a full range of gauge accessories and manifolds that include:

- Externally Adjustable Snubber - See datasheet VAC 51
- U' and Scroll syphons - See datasheet VAC 52
- Overload Protection Valves - See datasheet VAC 53
- Gauge Swivel Adaptors - See datasheet VAC 50
- Needle Valves - See datasheet VAC 16 - 17
- Ball Valves - See datasheet VAC 15
- Block & Bleed Manifolds - See datasheet VAC 20
- Diaphragm Seal units - See datasheets BUD 38 - 45

Please contact our Sales Office for any special requirements including units for operation on special services, higher temperature operation or customised dials.,