



## ▶ Chart drives

725

- Spring wound
- 11-Jeweled escapement
- Interchangeable with CDS 820 battery chart drive
- A standard in most circular recorders

This chart drive was designed to operate under difficult conditions. It is of robust construction and the movement itself is protected by a cover with a sealing gasket and spring loaded washers. The output torque is much greater than any other chart drives, e.g. 24oz/in after 8 days run at 1 rev./24 hours.

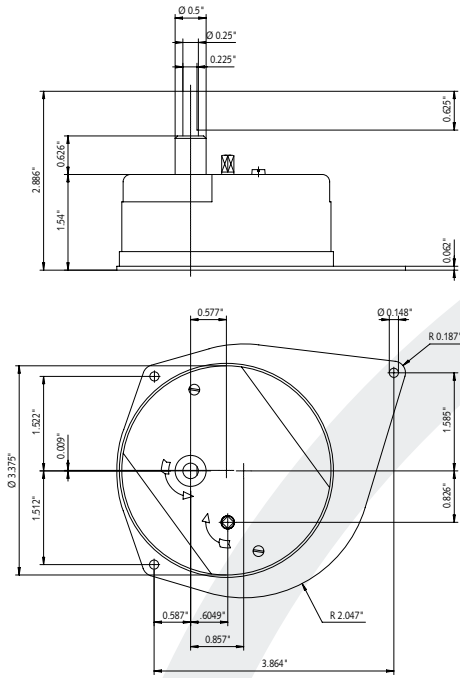
### ▶ Technical data

Part N°	Speed	Wind	Mounting Plate Type	Output Shaft
725R086	15 min / 1 hr	5 hr	A	¼" D w/Flat - CCW
725R138	1 hr / 3 hr	2 D	A	¼" D w/Flat - CCW
725R175	96 min / 24 hr	4 D	A	¼" D w/Flat - CCW
725R077	2 hr / 8 hr	2 D	A	¼" D w/Flat - CCW
725R137	2 hr / 8 hr	2 D	A	¼" D w/Flat - CCW
725R081	4 hr	2 D	A	¼" D w/Flat - CCW
725R170	4 hr	2 D	B	Threaded w/start knob - CW
725R189	24 hr	9 D	B	Threaded w/start knob - CW
725R028	24 hr / 7 d	9 D	A	¼" D w/Flat - CCW
725R084	24 hr / 7 d	9 D	A	¼" D w/Flat - CCW
725R127	24 hr / 7 d	9 D	C	Threaded / Grooved - CCW

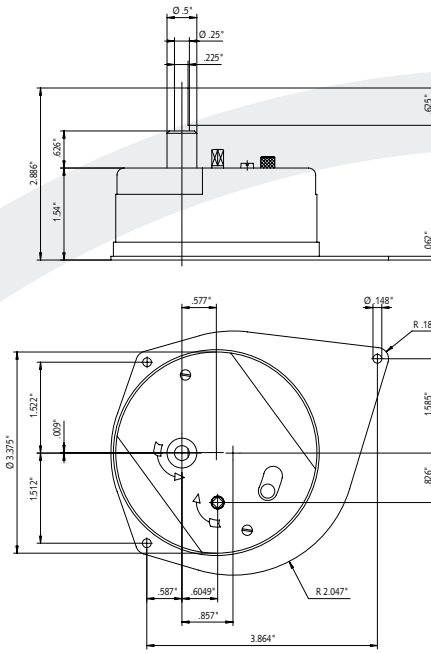
► Dimensions

Drawing not to scale. All dimensions in inches.

• A - Pear-shaped mounting plate

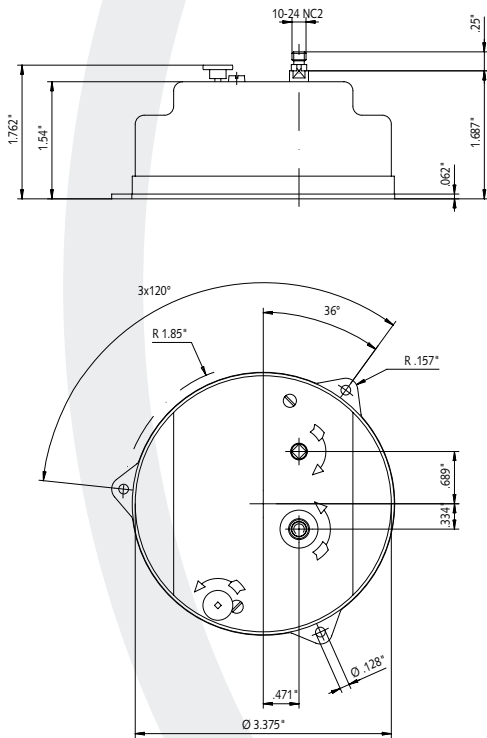


Single Speed Configuration

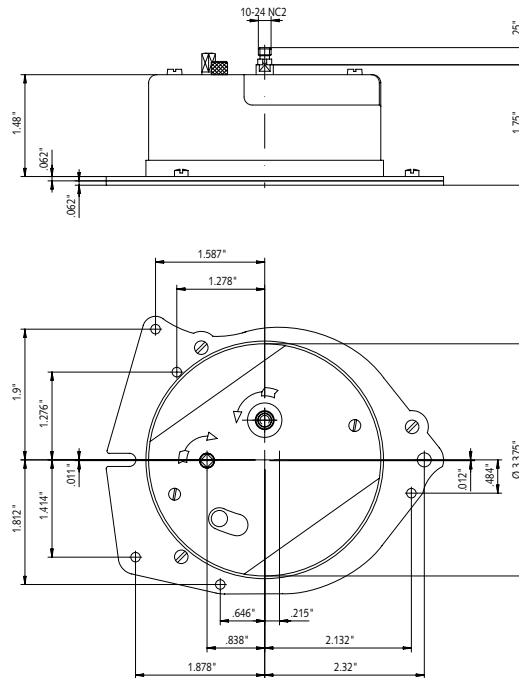


Dual Speed Configuration

• B - Round mounting plate



• C - Foxboro-style mounting plate



Special requirements upon customer specifications. Right to change reserved.

< 1.0 >

SONCEBOZ Corporation  
 3915 Research Park Drive, Suite A2  
 Ann Arbor, MI 48108  
 Phone: (734) 622-0330  
 Fax: (734) 622-0420  
 Toll Free: (800) 766-8242  
 customerserviceusa@sonceboz.com  
 www.sonceboz.com

